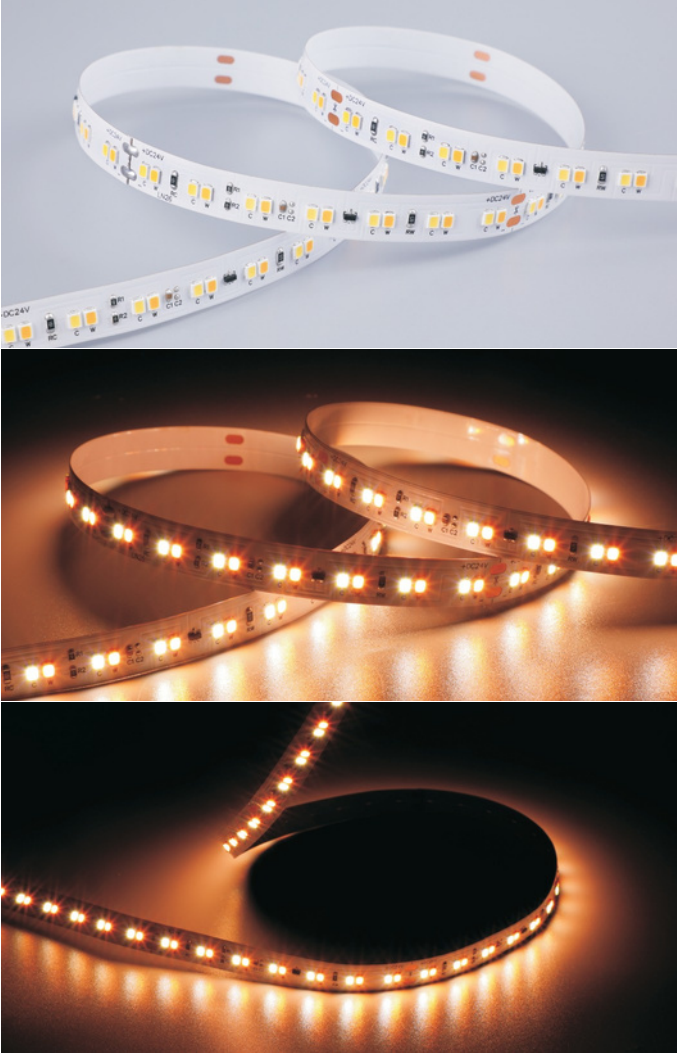


## CCT-Tunable Series

2835 LED Dim-to-warm PWM Pro  
**AX-6W24V DIM TO WARM**

## LED FlexibleStrip

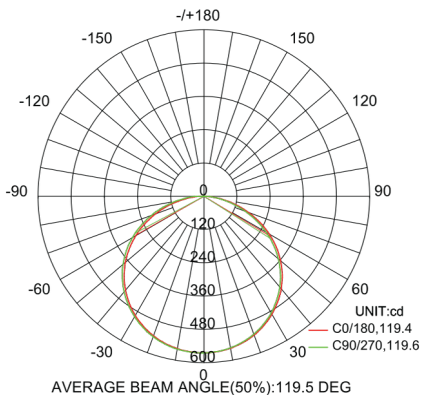


### Features

1. Plus Series using top quality material such as Epistar/San'an chip, Intermatix phosphor powder, ShinEtsu & Dow Corning glue, Heraeus 99.99% pure golden wire, pure copper & fresh plastic stand etc. as standard configuration.
2. It warms as it is dimmed in only 2 wires. Dim-to-Warm concept is to dim CCT from 3000K to 1800K while its brightness is dimmed from 100% to 3% (vary according to LED driver or controller) synchronously and smoothly, perfectly simulating the warmth and dimming curve of incandescent and halogen lamp, which create a comfortable and natural lighting performance.
3. Direct dimming with PWM (Pulse-Width Modulation) output type of driver, no remote controller, no receiver, no battery, simple and convenient wiring.
4. Flexible choice on LED specification combination with separated LEDs for two CCTs.
5. Color mixing effect is comparable to the 2in1 LED with two LEDs mounted closely.

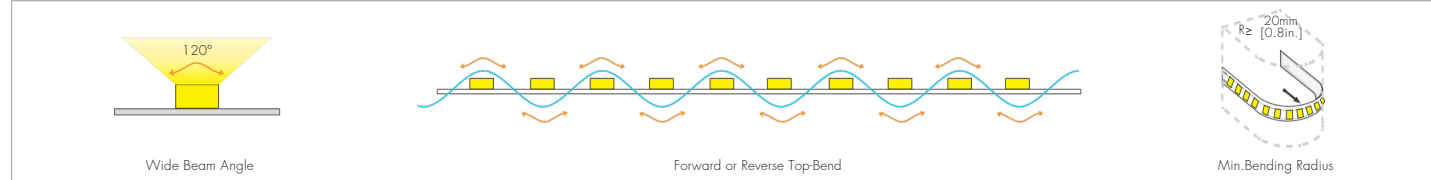
### Application

1. Indirect decorative lighting for table, showcase, shelf, cabinet, corridor, stair, cove, ceiling etc.

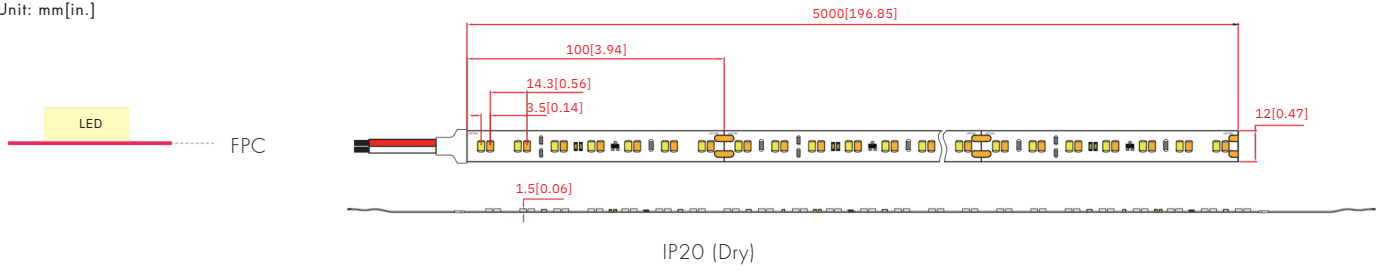


Dry
Damp
Wet

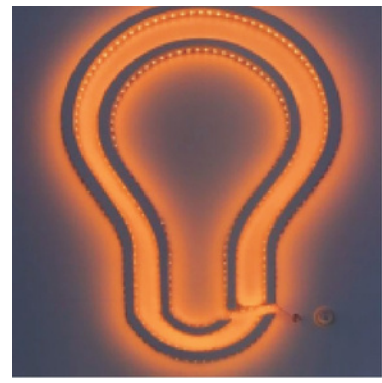
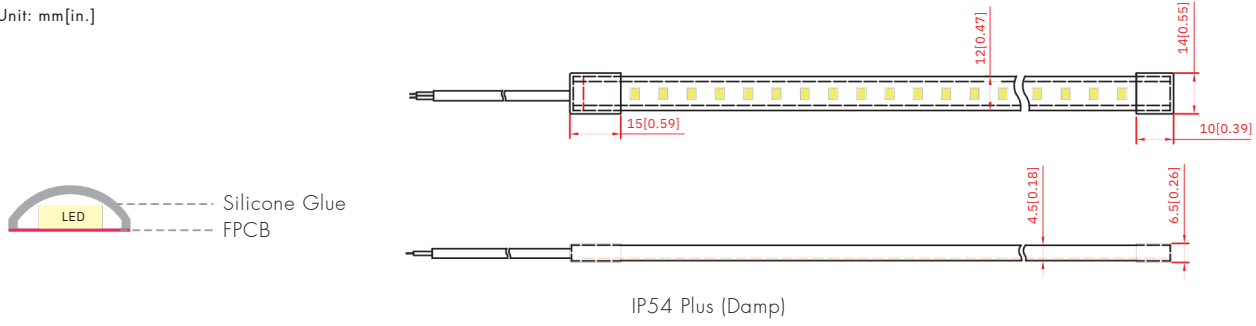
## Diagram & Dimension



Unit: mm[in.]



Unit: mm[in.]



Halogen 3000° K  
 Incandescent 2700° K  
 Candle Lingt 2000° K  
 The warmest light source of all measures around 2,000 degrees Kelvin  
 Measurements shown in degrees Kelvin.

## Specification

Part No.	Dimension (L*W*H)	IP Rating	Lumen Flux±10% @CRI80&3000K@20W	Light Efficiency @CRI80&3000K@20W	Lumen Flux±10% @CRI90&3000K@20W	Light Efficiency @CRI90&3000K@20W
AX-6W24V DIM TO WARM	5000*12*1mm [197*0.47*0.04in.]	IP20 [dry]	2000lm/M [610lm/ft.]	100lm/W	1700lm/M [520lm/ft.]	85lm/W
ON CUSTOM ORDER	5000*12*4.5mm [197*0.47*0.18in.]	IP54 Plus [damp]	2000*95%lm/M [610*95%lm/ft.]	100*95%lm/W	1700*95%lm/M [520*95%lm/ft.]	85*95%lm/W

Part No.	Dimension (L*W*H)	IP Rating	Lumen Flux±10% @CRI80&3000K@15W	Light Efficiency @CRI80&3000K@15W	Lumen Flux±10% @CRI90&3000K@15W	Light Efficiency @CRI90&3000K@15W
ON CUSTOM ORDER	5000*12*1mm [197*0.47*0.04in.]	IP20 [dry]	1570lm/M [480lm/ft.]	105lm/W	1340lm/M [410lm/ft.]	89lm/W
ON CUSTOM ORDER	5000*12*4.5mm [197*0.47*0.18in.]	IP54 Plus [damp]	1570*95%lm/M [480*95%lm/ft.]	105*95%lm/W	1340*95%lm/M [410*95%lm/ft.]	89*95%lm/W
ON CUSTOM ORDER	5000*14*4mm [197*0.55*0.16in.]	IP65 [wet]	1570*95%lm/M [480*95%lm/ft.]	105*95%lm/W	1340*95%lm/M [410*95%lm/ft.]	89*95%lm/W

Notice: (1) The lumen flux value above comes from integrated sphere report, it might be higher in IES report.  
 (2) The lumen flux value above is base on 1M[3.28ft.] length, it need to be measured and considered separately for other longer lengths.  
 (3) Energy efficiency class of regulation (EU) 2019/2020 is F(CRI80)/G(CRI90) for 3000K and 15W/M in IP20, it varies depending on CRI, CCT and IP rating.

General Parameters		Photoelectric Parameters	
Standard Length	5M [16.4ft.] (power fed on one side)	Power±10%	(20/15)W/M [(6.1/4.57)W/ft.]
Min. Unit & LED QTY	100mm [3.94in.] & 14LEDs	Input Voltage	24VDC
LED Type	SMD2835 white	LED Current	(40~45/30~34)mA/LED
LED QTY	140 LEDs/M [42 LEDs/ft.]	LED CCT & Wavelength	3000~1800K (Dim-to-warm)
PCB Type	3oz white FPC, OSP	SDCM	ErP & ANSI Norm, 3 step
Operating Ambient	Ta(working): -20~45°C [-4~113°F] & Tstg(storage): -20~60°C [-4~140°F]	CRI	Ra≥ 80 & 90
Warranty	2 years	Beam Angle	120°
Lifespan	L70≥50,000@Tc≤65°C [149°F] (Tc is temperature of LED pin)	Dimming Method	PWM (dimmable driver like RF, Bluetooth, 0/1-10V, Triac, DALI, DMX, WIFI etc.)
Certification	CE, UL, CB, SAA, RoHS, IM80		

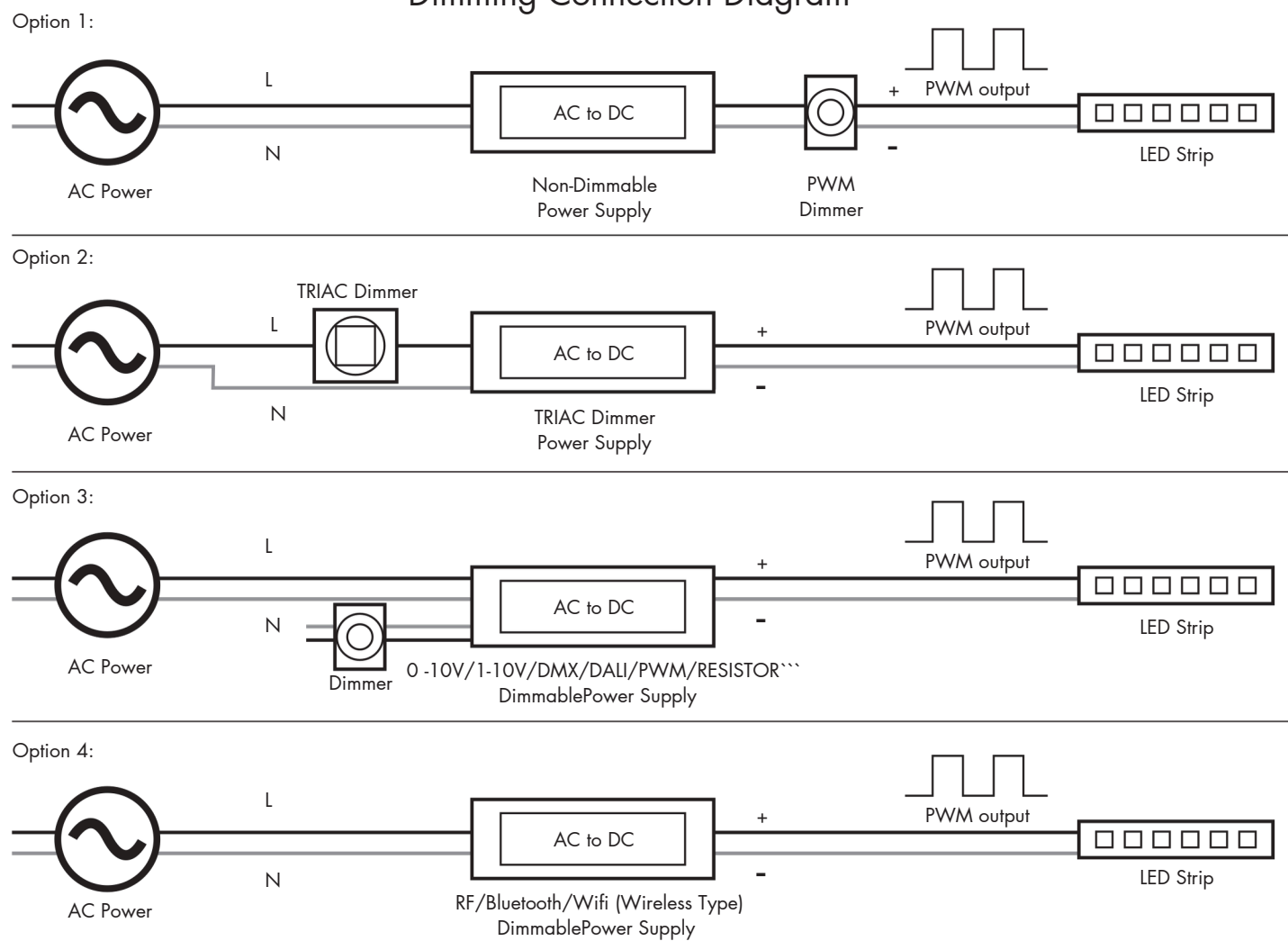
Note:

- 1: Dimension and optical parameters such as lumen flux, CCT, etc. of the waterproof product may vary compared with the IP20 version.
- 2: Luminous flux for CCT 2700K is 10% lower, for CCT 3000K/3500K is 5% lower, for CCT 5000K/6500K is the same, compared with 4000K.
- 3: Transmittance for IP54 Thin/IP54/IP67/IP68, 2700K/3000K is 95%, 3500K/4000K is 90%, 5000K/6500K is 80%; transmittance for IP65/ IP54 Plus/ IP67 Plus Thin/IP67 Plus is 95%.
- 4: Applying with extra heat sink for cooling, it's proposed for 15W/M[4.57W/ft.] and mandatory for 20W/M[6.1W/ft.].
- 5: 3M 300LSE yellow adhesive tape attached on backside, is standard configuration of Plus Series.
- 6: One end of 200mm red/white silicon cable or waterproof connector kit according to specific IP rating, is standard configuration of Plus Series.
- 7: Transparent reel and silvery ESD bag, are standard configuration of Plus Series.
- 8: Installation accessories such as clip, screw, plug etc. are all optional base on specific demand.
- 9: Power maintenance rate=actual measured power in a certain length/(a same certain length\*actual measured power in 1M[3.28ft.] length);  
 Brightness maintenance rate=actual measured brightness on the tail section in a certain length/actual measured brightness on the first section in a same certain length.

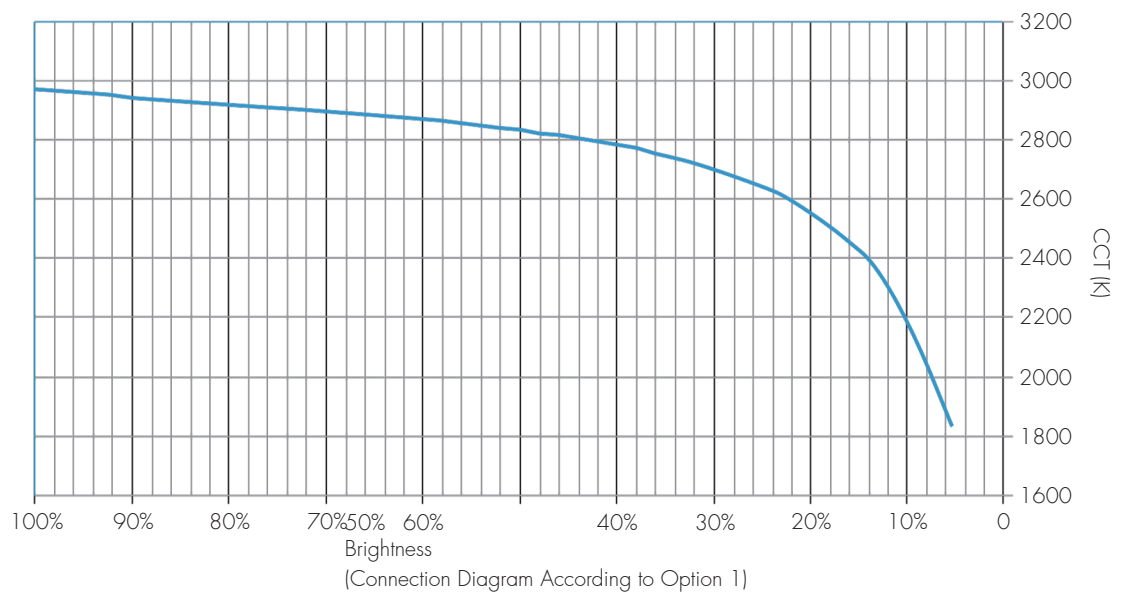
POWER & BRIGHTNESS vs. LENGTH CHARACTERISTIC (POWER FED ON ONE SIDE)					
Length Of Single Product	1M [3.28ft.]	2M [6.56ft.]	3M [9.84ft.]	4M [13.1ft.]	5M [16.4ft.]
Actual Measured Power	20.8W	40.3W	58.6W	73.2W	89W
Power Maintenance Rate	100%	96.9%	93.9%	88%	85.6%
Brightness Maintenance Rate	99.2%	98.2%	94.9%	90.3%	85%

### Connection

#### Dimming Connection Diagram



### Dimming Curve Demonstration



### IP Rating & Coding



#### IP RATING

#### SKETCH MAP

#### FEATURE

##### IP20

DC L.V. Series  
Dry Location



Non-Waterproof

##### IP54 Thin

DC L.V. Series  
Damp Location



Silicone Spraying/Nano Coating Process  
Anti Splash Water  
Small Size Change  
Semi-Seal

##### IP54

DC L.V. Series  
Damp Location



Silicone Dripping Process  
Anti Splash Water  
Small Size Change  
Semi-Seal

##### IP65

DC L.V. Series  
Wet Location



Silicone Tube Process  
Anti Spray Water  
Tiny Color Shift  
Full-Seal

##### IP67

DC L.V. Series  
Wet Location



Silicone Pouring Process  
Immerse In Water For Short Time  
(depth ≤ 1 meter & less than 30 minutes)  
Full-Seal

##### IP68

DC L.V. Series  
Wet Location



Silicone Injection Process  
Immerse In Water For Long Time  
(depth ≤ 1 meter & within the warranty period)  
Full-Seal

##### IP54 Plus

DC L.V. Series  
Damp Location



Silicone Extrusion Process  
Anti Splash Water  
Small Size Change  
Tiny Color Shift  
Semi-Seal

##### IP67 Plus Thin

DC L.V. Series  
Wet Location



Silicone Extrusion Process  
Immerse In Water For Short Time  
(depth ≤ 1 meter & less than 30 minutes)  
Small Size Change, Tiny Color Shift  
Full-Seal

##### IP67 Plus

DC L.V. Series  
Wet Location



Silicone Extrusion Process  
Immerse In Water For Short Time  
(depth ≤ 1 meter & less than 30 minutes)  
Tiny Color Shift  
Full-Seal